

High-brightness Ring Lights

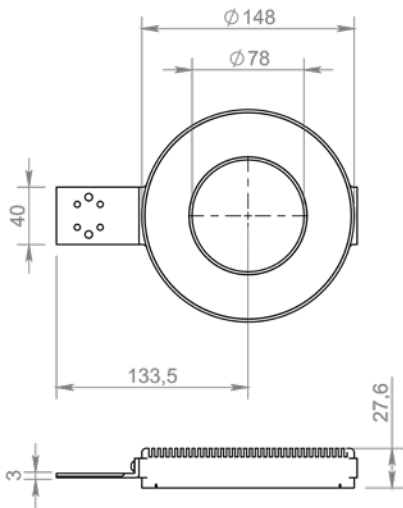
These ring lights are equipped with 12 high-power LEDs permitting working distances of 1 to 1.5 m, much more than standard LED lights which are usually suitable for working distances of up to 30 cm.

The lighting head can be equipped with lenses for light beam angles of 10, 18, 28 and 40 degrees for an ideal adjustment to different working distances and fields of views.

A bracket and a clear glass diffuser is included. It's possible to choose a shower glass diffuser.



Mechanical Dimensions



Step files available on request

Color Information

Replace "X" in order number by one character ¹	Color	Wavelength (nm)
D	Red	617
W	White	
B	Blue	465
G	Green	520

¹ Example for red ring light: FAX3 1153(10)

Order Information

Order number	Secondary optics	Controller ²	
		continuous/switching mode	strobe mode
FAX3 1153(10)	10°	1 A	8 A
FAX3 1153(18)	18°	1 A	8 A
FAX3 1153(28)	28°	1 A	8 A
FAX3 1153(40)	40°	1 A	8 A

² See "Controller selection" for details

Options

- Cable length and type see "Order options"
- Bracket options see "Lighting head brackets"
- Diffuser see "Order options"