

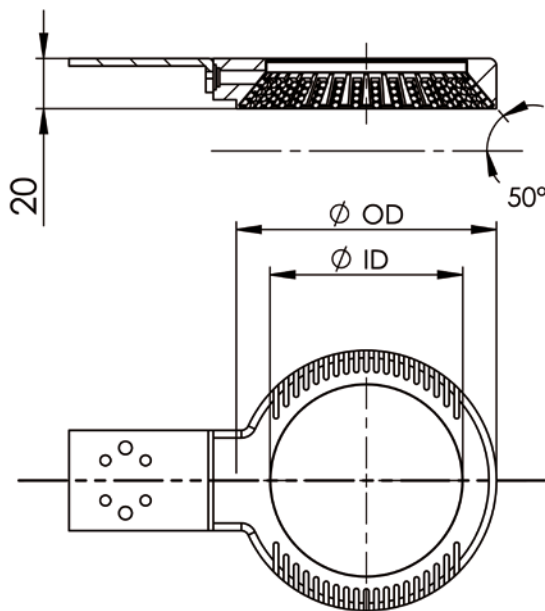
# Ring Lights with 50° Light Beam Angle

These ring lights are characterized by a 50 degree inward aligned light output which places them between conventional ring lights and dark field lights.

This kind of illumination is used for example for shadow-free lighting of conic objects. Bracket is included (no. SXX3 010213, for details see lighting head brackets).



## Mechanical Dimensions



Step files available on request

## Order Information

Order number	Sizes (mm)		Controller <sup>2</sup>	
	outer ø	inner ø	continuous/ switching mode	strobe mode
SAX3 3104	104	76	1 A	8 A
SAX3 3184	184	157	3 A	24 A

<sup>2</sup> See "Controller selection" for details

## Options

- Cable length and type see "Order options"
- Diffuser see "Order options"
- A clear diffuser to protect the LEDs is also available

## Color Information

Replace "X" in order number by one character <sup>1</sup>	Color	Wavelength (nm)
H	Red	617
W	White	

<sup>1</sup> Example for red ring light: SAH3 3104