

Polarization Filters for Ring Lights

There are polarization filters for ring lights with 78 and 102 mm diameter available.

The filter consists of two parts: an outer part for the ring light and an inner part for the camera. The outer section is fixed by three screws. The inner section is twistable in order to adjust the polarization effect.

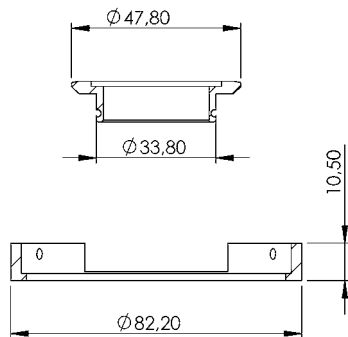
The most used polarization filter is HN38 with a total luminous transmittance of approximately 38% and it's noted for the lack of color distortion.

The filter ring is made of black aluminium.

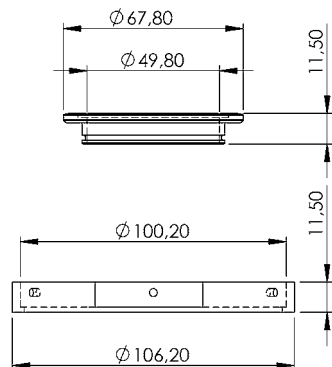
Other types of polarization filters on request.

Mechanical Dimensions

LFL3 1078



LFL3 1102



Order Information

Order number	Design
LFL3 1078	Polarization filter for SAX3 1078
LFL3 1102	Polarization filter for SAX3 1102

Other types and custom designs on request.