

Steady State, 1Ch, 3A, PAD2 1132/3 External voltage control 0-10V

This package consists of:

- PAD2 1132/3, Steady State control unit
- Power/Trigger cable, 5m

| Specifications | |
|-----------------------|-----------------|
| Voltage supply | 24V DC(±10%) |
| Current requirement | max. 2,5A |
| Protection class | IP30 |
| Operation temperature | 0°C+65 °C |
| Storage temperature | -40°C....+80 °C |
| Storage humidity | max. 80% |

| | |
|-----------------|-----------|
| Power output | max. 3A |
| Light intensity | 0 to 100% |

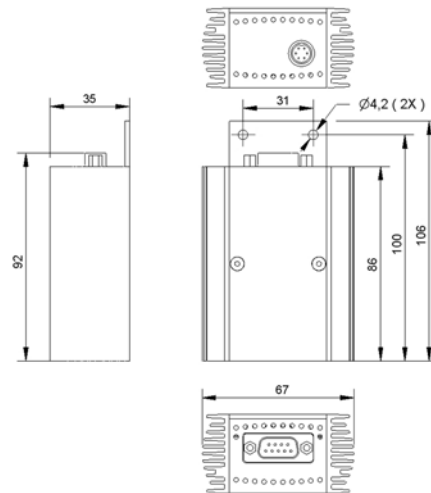
Warning!

Do not connect to other than 24 V DC

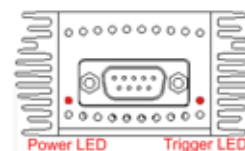
| Power/trigger cable | | |
|---------------------|--------|----------|
| Yellow | 24 VDC | Pin 1, 2 |
| Brown | 0 V | Pin 3, 4 |
| Green | 0-10 V | Pin 8 |
| White | 0 V | Pin 9 |

Light head connector:

Pull back the spring-loaded housing before connecting and disconnecting.

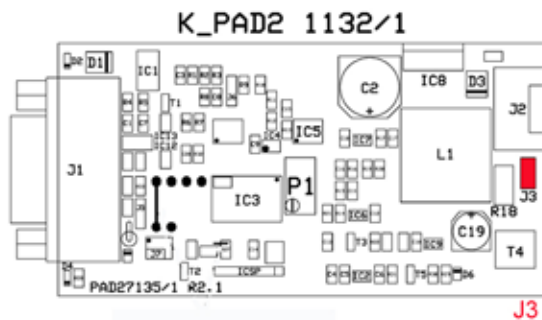


LED indication



Adjustment:

Open the units by unscrewing top cover.



Light intensity:

Adjustment of the light intensity is done by varying the applied control voltage between 0-10VDC corresponding to light intensity of 0-100%.

Current measurement, J3:

The output current (light intensity) can be measured by connecting a voltmeter to "J3".
100mV is equal to 1A.

For example:

A voltage of 30mV correspond to a current of 300mA.

EEC compatibility:

This product, PAD2 1132/3 follow the EG-directive for EMC-compatibility, 897336, additional 9321/EEG and 93/86//EEG