



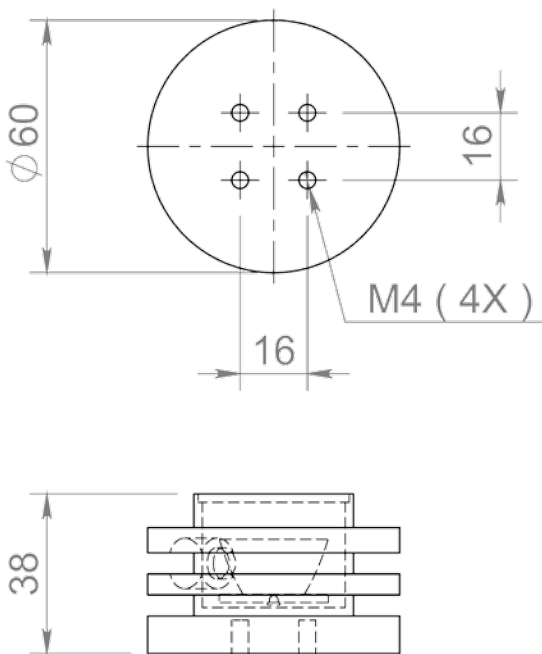
High-brightness spot lights

The spot light with secondary LED optics is based on an Oslon SSL80 LED. Different lenses enable illumination fields with different diameters.

The lighting head can be equipped with lenses for light beam angles of 10, 18, 28 and 40 degrees for an ideal adjustment to different working distances and illumination fields.



Mechanical dimensions



Step files available on request

Order information

Order number	Secondary optics	Controller ¹⁾	
		steady mode	strobe mode
FAX3 1151(10)	10°	1 A	8 A
FAX3 1151(18)	18°	1 A	8 A
FAX3 1151(28)	28°	1 A	8 A
FAX3 1151(40)	40°	1 A	8 A

¹⁾ See controller selection for details

Color information

Replace "X" in order number by one character ²⁾	Color	Wavelength
D	Red	617 nm
W	White	
B	Blue	465 nm
G	Green	520 nm

²⁾ Example for red spot light: FAD3 1151(10)

Options

- Cable length and type see "Order options"
- Bracket options see "Lighting head brackets"
- Diffuser see "Order options"