



## Ring lights with 50° light beam angle

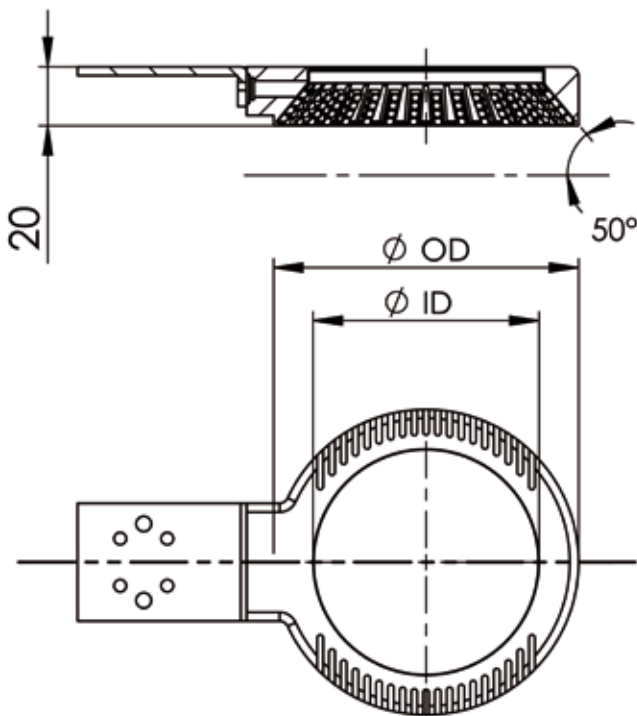
These ring lights are characterized by a 50 degree inward aligned light output which places them between conventional ring lights and dark field lights.

This kind of illumination is used for example for shadow-free lighting of conic objects.

Bracket is included (no. SXX3 010213, for details see lighting head brackets).



### Mechanical dimensions



Step files available on request

### Order information

Order number	Sizes (mm)		Controller <sup>1)</sup>	
	outer Ø	inner Ø	steady mode	strobe mode
SAX3 3104	104	76	1 A	8 A
SAX3 3184	184	157	3 A	24 A

<sup>1)</sup> See controller selection for details

### Color information

Replace "X" in order number by one character <sup>2)</sup>	Color	Wavelength
H	Red	617 nm
W	White	

<sup>2)</sup> Example for red ring light: SAH3 3104

### Options

- Cable length and type see "Order options"
- Diffuser see "Order options"