



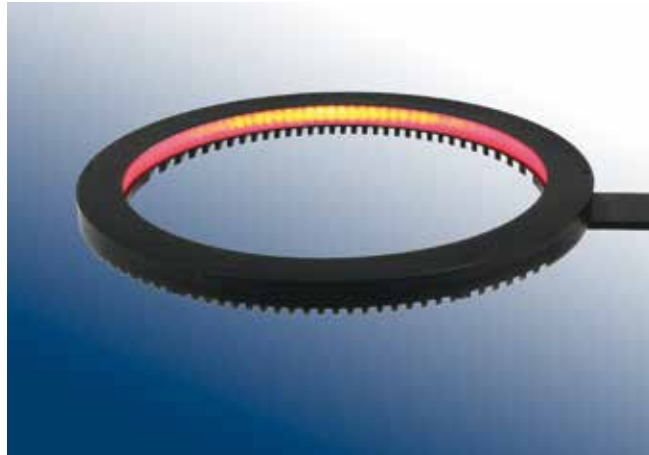
## Dark field lights

Dark field lights are ideal for detecting edges and contours.

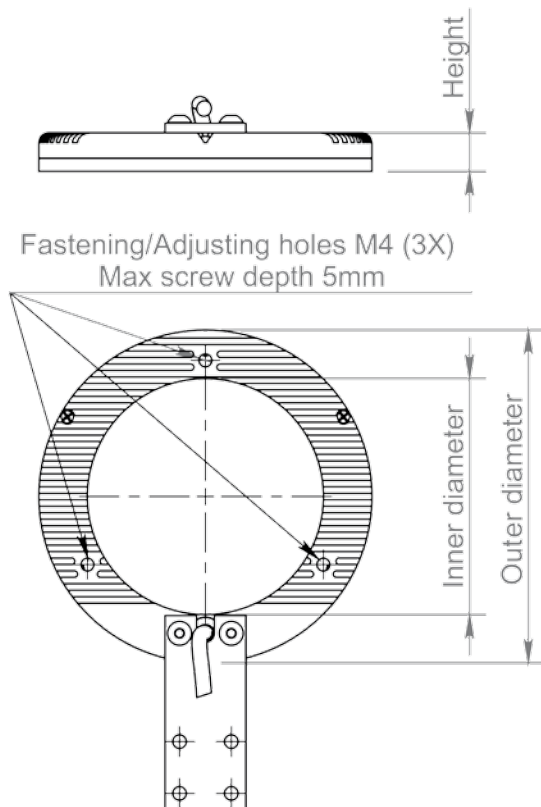
The standard light beam angle is 80°. Customized adjustment from 70° to 90° is possible.

The dark field lights have a diffuser for evenness of illumination.

Bracket LAD3 4011 is included (for details see „Lighting head brackets“).



### Mechanical dimensions



Step files available on request

### Options

- Cable length and type see "Order options"
- Custom light beam angle see "Order options"

### Order information

Order number	Sizes (mm)			Light beam angle	Controller <sup>1)</sup>	
	outer Ø	inner Ø	height		steady mode	strobe mode
PAD3 4025 <sup>2)</sup>	25	15	9.5	5°	1 A	8 A
SAX3 4072	72	42	12	10°	1 A	8 A
SAX3 4103	103	73	12	10°	1 A	8 A
SAX3 4166	166	136	12	10°	1 A	8 A
SAX3 4213	213	183	12	10°	1 A 3 A <sup>3)</sup>	8 A 24 A <sup>3)</sup>
SAX3 4276	276	246	12	10°	1 A 3 A <sup>3)</sup>	8 A 24 A <sup>3)</sup>

<sup>1)</sup> See controller selection for details

<sup>2)</sup> Available only in red light color

<sup>3)</sup> For light colors white, blue, green and UV

### Color information

Replace "X" in order number by one character <sup>4)</sup>	Color	Wavelength
H	Red	617 nm
W	White	
R	IR	880 nm
B	Blue	465 nm
G	Green	520 nm
U	UV	395 nm

<sup>4)</sup> Example for red dark field light: SAH3 4072