



# Ring lights with lens thread

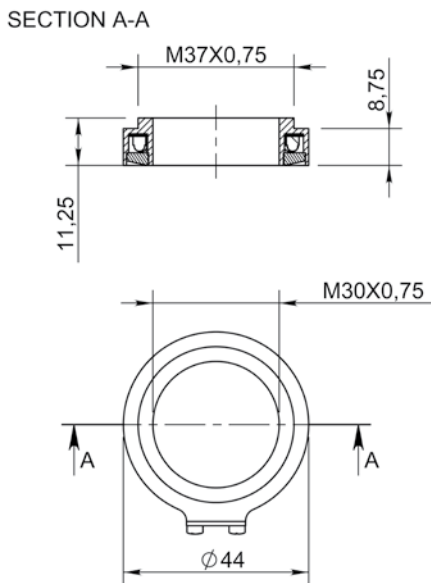
This ring light can be easily mounted in two ways:

- By a small bracket (order no. LAD3 7218)
- By a standard lens adapter with a lens thread of 37 x 0.75 mm. 13 lens threads are available to fit different lenses.

The best evenness of light will be achieved at a working distance of 20 - 25 mm. A diffuser is included.

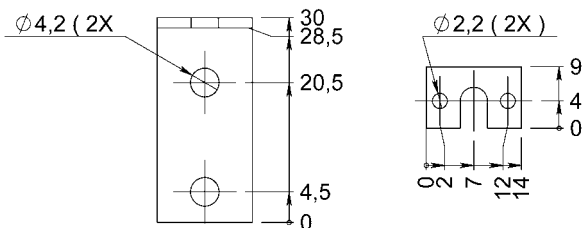


## Mechanical dimensions



## Options

- Cable length and type see "Order options"
- Bracket LAD3 7218:



## Order information adapter ring light

Order number	Sizes (mm)		Working distance (mm)	Controller <sup>1)</sup>	
	outer Ø	inner Ø		steady mode	strobe mode
SAX3 1044	44	29	25	1 A	8 A

<sup>1)</sup> See controller selection for details

## Color information

Replace "X" in order number by one character <sup>2)</sup>	Color	Wavelength
H	Red	617 nm
W	White	
R	IR	880 nm
B	Blue	465 nm
G	Green	520 nm
U	UV	395 nm

<sup>2)</sup> Example for red ring light: PAH3 1044

## Order information lens adapters

Order number	Lens thread
ADP350	37.5 x 0.75 mm
ADP351	36.0 x 0.75 mm
ADP751	35.5 x 0.50 mm
ADP352	34.0 x 0.50 mm
ADP353	30.5 x 0.75 mm
ADP3531	30.5 x 0.50 mm
ADP753	30.0 x 0.75 mm
ADP854	28.0 x 0.75 mm
ADP954	28.0 x 0.50 mm
ADP354	27.0 x 0.75 mm
ADP754	25.5 x 0.50 mm
ADP654	25.5 x 0.50 mm
ADP355	24.0 x 0.50 mm