



Ring lights

Ring lights provide a uniform and shadow-free lighting. A diffuser (removable) for homogeneous light is included.

In order to avoid reflection, some ring lights can be used in combination with polarization filters.

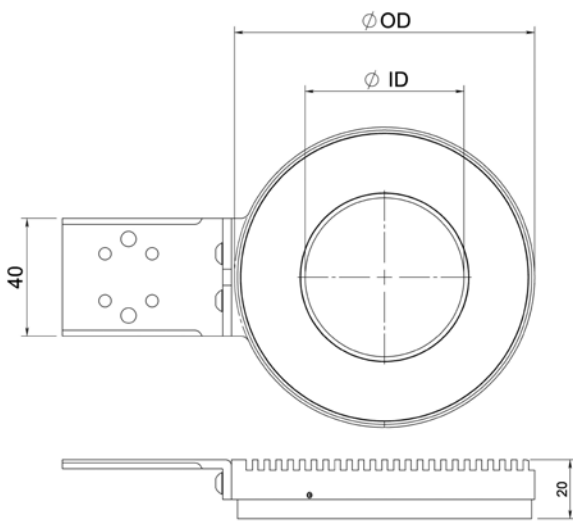
Brackets are included (no. SXX3 010213, for details see bracket options).

The standard light beam angle is 12°. Custom adjustment from 0° to 40° on request.

The special RGB lights are built with high-power three-chips LEDs, red, green, and blue, enabling the use of each color separately or in combination. White light can be achieved by setting each channel to the same intensity level.



Mechanical dimensions



Color information

Replace "X" in order number by one character ¹⁾	Color	Wavelength
H	Red	617 nm
W	White	
R	IR	880 nm
B	Blue	465 nm
G	Green	520 nm
U	UV	395 nm

¹⁾ Example for red ring light: SAH3 1078

Order information single color lights

Order number	Sizes (mm)		Working distance (mm)	Controller ²⁾	
	outer Ø	inner Ø		steady mode	strobe mode
SAX3 1044	see ring light with lens thread				
SAX3 1078	78	34	50	1 A	8 A
SAX3 1102	102	54	80	1 A	8 A
SAX3 1132	132	84	100	1 A 3 A ³⁾	8 A 24 A ³⁾
SAX3 1162	162	114	140	1 A 3 A ³⁾	8 A 24 A ³⁾
SAX3 1202	202	164	180	3 A	24 A
SAX3 1348	348	300	300	3 A	24 A

²⁾ See controller selection for details

³⁾ For light colors white, blue, green and UV

Order information RGB lights

Order number	Sizes (mm)		Working distance (mm)	Controller ⁴⁾	
	outer Ø	inner Ø		steady mode	strobe mode
RGB3 1078	78	34	50	1 A	8 A
RGB3 1102	102	54	80	1 A	8 A
RGB3 1132	132	84	100	1 A	8 A
RGB3 1162	162	114	140	1 A	8 A
RGB3 1202	202	164	180	1 A	8 A
RGB3 1348	348	300	300	on request	

⁴⁾ For RGB lights 4 channel controllers are required

Options

- Cable length and type see "Order options"
- Polarization options see "Polarization filters"
- Second bracket (SXX3 010213) for SAX3 1162 and bigger for more stability