

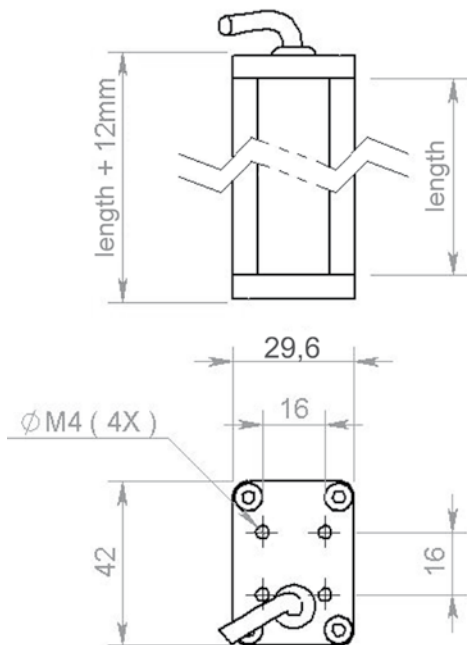


Line lights with fresnel lens

This line light series is designed for line scan camera applications. It produces a very thin light beam of 4 mm width.

The standard working distance is 40 mm. The light lengths range from 58 to 788 mm. Custom lengths on request.

Mechanical dimensions



Step files available on request

Color information

Replace "X" in order number by one character ¹⁾	Color	Wavelength
H	Red	617 nm
W	White	
R	IR	880 nm
B	Blue	465 nm
G	Green	520 nm
U	UV	395 nm

¹⁾ Example for red line light: SAH4 6058



Order information

Order number	Length (mm)	Controller ²⁾	
		steady mode	strobe mode
SAX4 6058	58 mm	1 A	8 A
SAX4 6097	97 mm	1 A	8 A
SAX4 6135	135 mm	1 A	8 A
SAX4 6173	173 mm	1 A	8 A
SAX4 6212	212 mm	1 A	8 A
SAX4 6250	250 mm	1 A	8 A
SAX4 6289	289 mm	1 A	8 A
SAX4 6327	327 mm	1 A	8 A
SAX4 6365	365 mm	1 A	8 A
SAX4 6404	404 mm	1 A	8 A
SAX4 6442	442 mm	1 A	8 A
SAX4 6481	481 mm	1 A	8 A
SAX4 6519	519 mm	3 A	24 A
SAX4 6557	557 mm	3 A	24 A
SAX4 6596	596 mm	3 A	24 A
SAX4 6634	634 mm	3 A	24 A
SAX4 6673	673 mm	3 A	24 A
SAX4 6711	711 mm	3 A	24 A
SAX4 6749	749 mm	3 A	24 A
SAX4 6788	788 mm	3 A	24 A

²⁾ See controller selection for details

Options

- Cable length and type see "Order options"
- Bracket options see "Lighting head brackets"