



## Front lights 80 x 56 mm

This front light series with its multifunctional dimensions suits most applications.

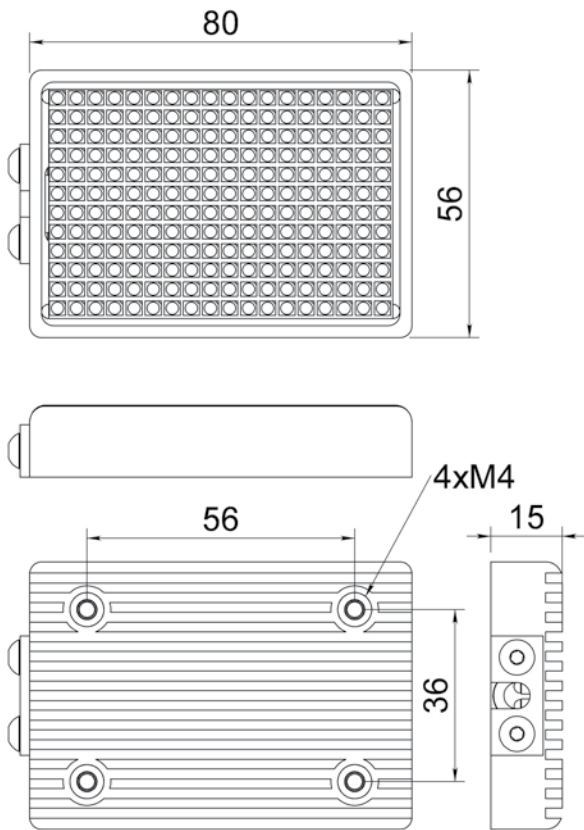
A diffuser for evenness of illumination is available as an option.

The effective light area is 72 x 48 mm.

Four M4 screws serve for securing the lighting head or a bracket (SXX3 010213).



### Mechanical dimensions



Step files available on request

### Order information

Order number	Color	Controller <sup>1)</sup>	
		steady mode	strobe mode
SAH5 1011	Red (617 nm)	1 A	8 A
SAW5 1011	White	3 A	24 A
SAR5 1011	IR (880 nm)	1 A	8 A
SAB5 1011	Blue (465 nm)	3 A	24 A
SAG5 1011	Green (520 nm)	3 A	24 A
SAU5 1011	UV (395 nm)	1 A	8 A

<sup>1)</sup> See controller selection for details

### Options

- Cable length and type see "Order options"
- Bracket options see "Lighting head brackets"
- Diffuser see "Order options"