



Front lights 80 x 56 mm

This front light series with its common dimensions suits most applications.

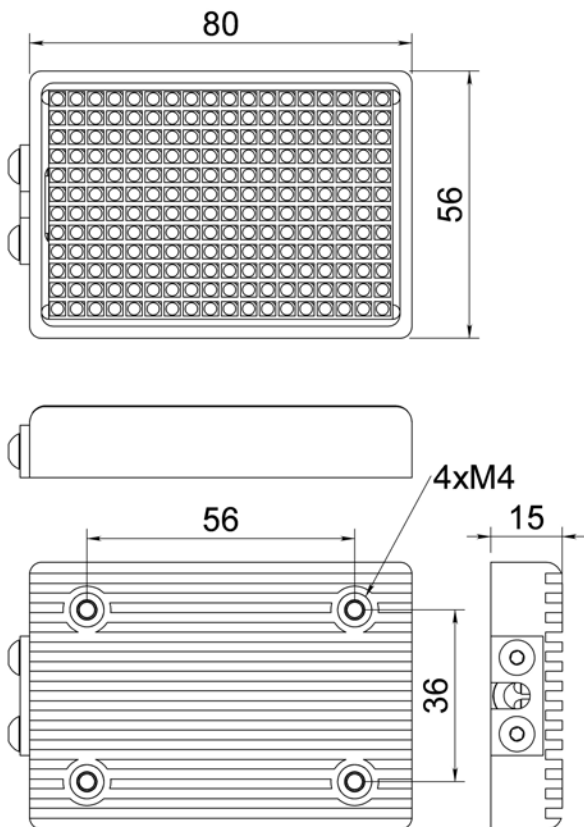
A diffuser can be mounted for more even illumination.

The effective light area is 48 x 72 mm.

Four M4 screws serve for securing the lighting head or a bracket for S-series (SXX3 010213).



Mechanical dimensions



Order information

Order number	Color	Controller ¹⁾	
		steady mode	strobe mode
SAH5 1011	Red (617 nm)	1 A	8 A
SAW5 1011	White	1 A	8 A
SAR5 1011	IR (880 nm)	1 A	8 A
SAB5 1011	Blue (465 nm)	1 A	8 A
SAG5 1011	Green (520 nm)	1 A	8 A
SAU5 1011	UV (395 nm)	1 A	8 A

¹⁾ See controller selection for details

Options

- Cable length and type see "Order options"
- Bracket options see "Brackets"
- Diffuser see "Order options"