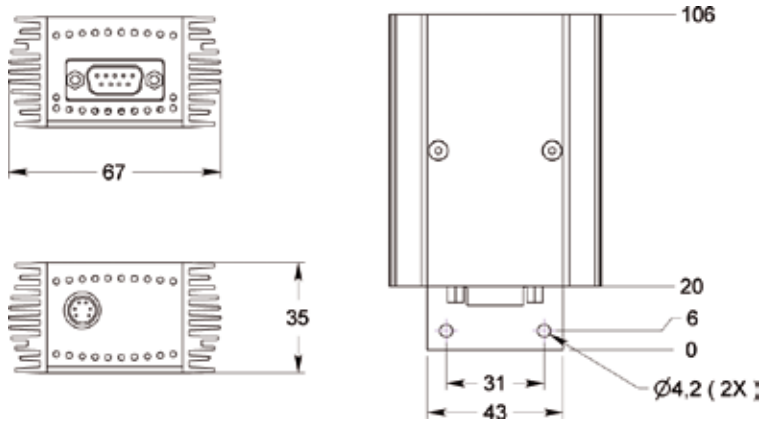




## Controller figures

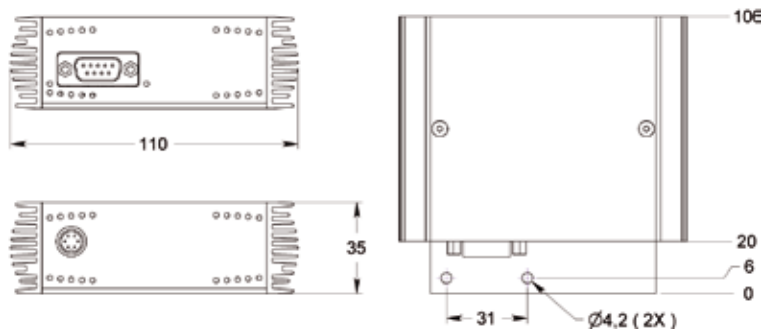
**Figure 1**

PAD2 1135/1 · PAD2 1135/3 · PAD2 1136/1  
 PAD2 1136/3 · PAD1 1131/8 · PAD1 1141/8  
 PAD1 1132/8



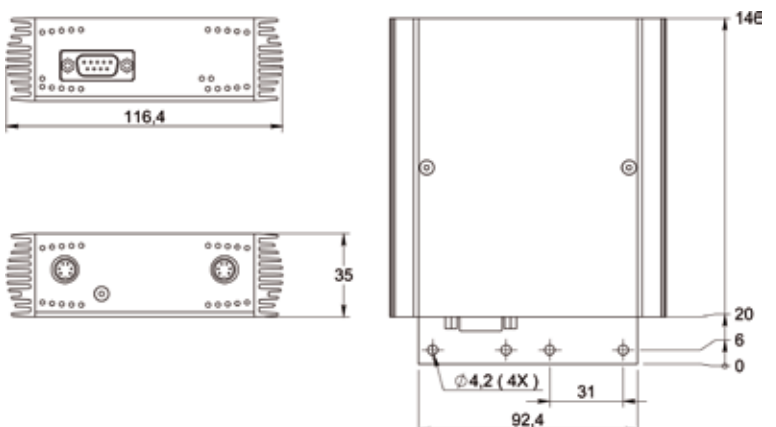
**Figure 2**

PAD1 1131/24 · PAD1 1132/24



**Figure 3**

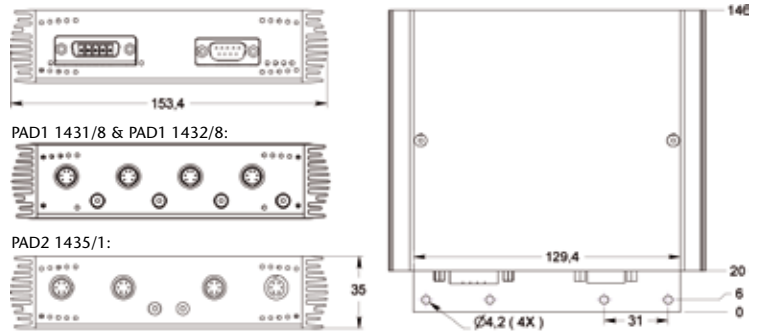
PAD2 1235/1 · PAD1 1231/8





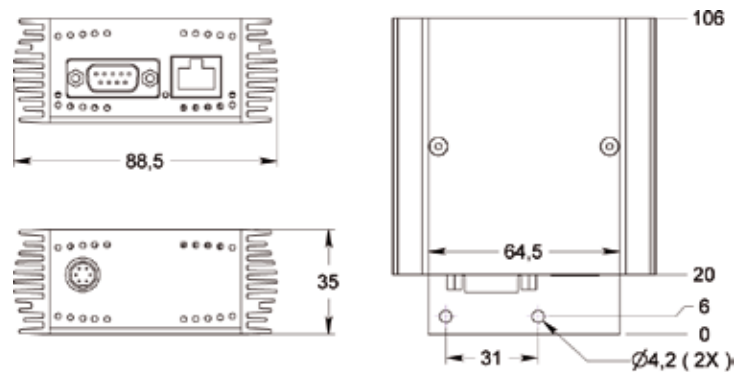
**Figure 4**

PAD2 1435/1 · PAD1 1431/8 · PAD1 1432/8



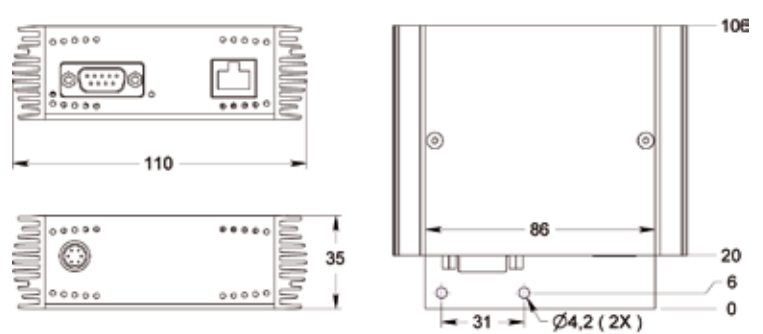
**Figure 5**

PAD2 4136/1 · PAD1 4132/8



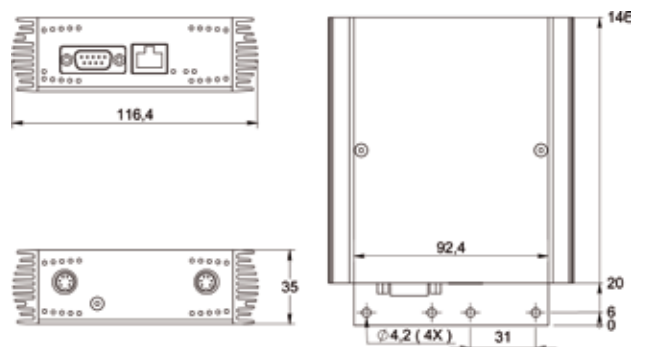
**Figure 6**

PAD2 4136/3 · PAD1 4132/24



**Figure 7**

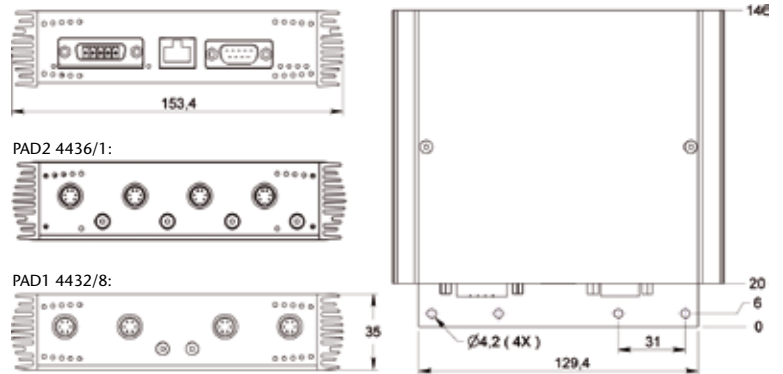
PAD2 4236/1 · PAD1 4232/8





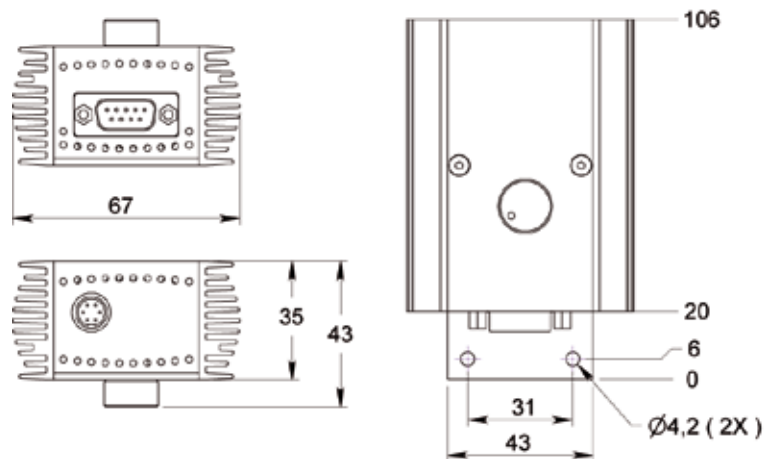
**Figure 8**

PAD2 4436/1 · PAD1 4432/8



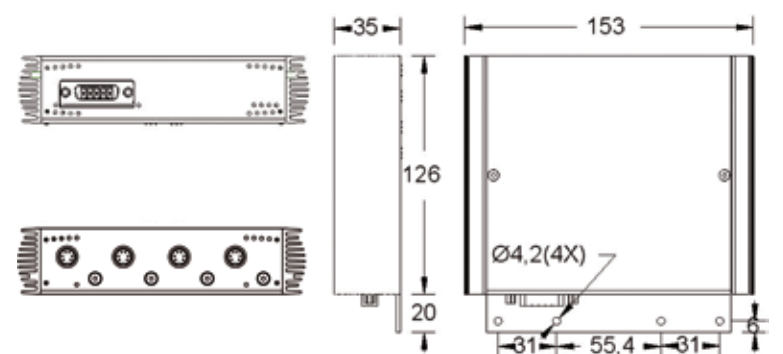
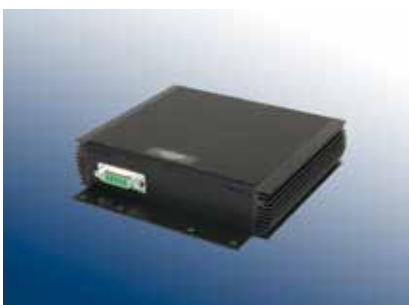
**Figure 9**

PAD2 2135/1 · PAD2 2135/3



**Figure 10**

PAD2 1436/1



Step files for all controllers available on request